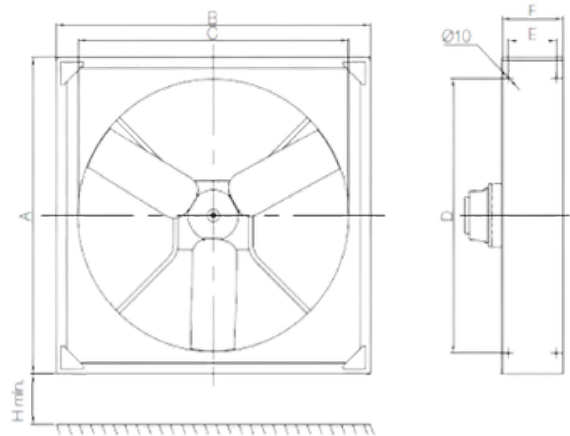
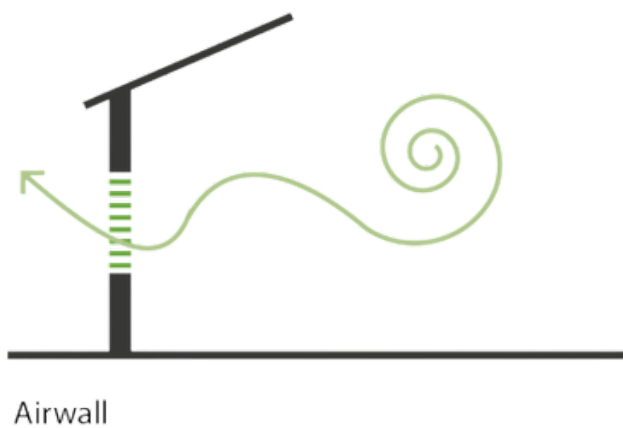


AIRWALL



The Anemol AIRWALL industrial fan has been designed to extract large volumes of air from inside buildings to outside, improving comfort by removing stale air and constantly renewing the environment. Its continuous-duty EC brushless motor and integrated Modbus control allow for quiet, efficient operation that is adaptable to automation systems."

TECHNICAL DRAWING



Specifications	Value
Fan diameter	1.17 m (4 ft)
Number of blades	3
Housing material	Stainless steel
Blade material	High-quality glass fiber reinforced polypropylene
Drum material	Technopolymer
Motor power	1 kW
Supply voltage	200VAC – 480VAC III, 50/60 Hz
Protection rating	IP65
Motor type	EC Brushless motor with S1 continuous duty category
Airflow	47,706 m ³ /h
Maximum consumption	1,040 W
Maximum speed	475 rpm
Sound level	<58 dBA
Standard control	Integrated motor control board with Modbus interface. Temperature and humidity control, Magnocontrol 10/25.
Dimensions (mm)	A: 1382; B: 1189; C: 1200; D: 210; E: 270; F: 2700; H min: 50

Compatible with MAGNOHUB for remote control and monitoring of air conditioning in real time.

The technical documentation is updated periodically. Anemoi reserves the right to modify all or part of the content of this document without prior notice.