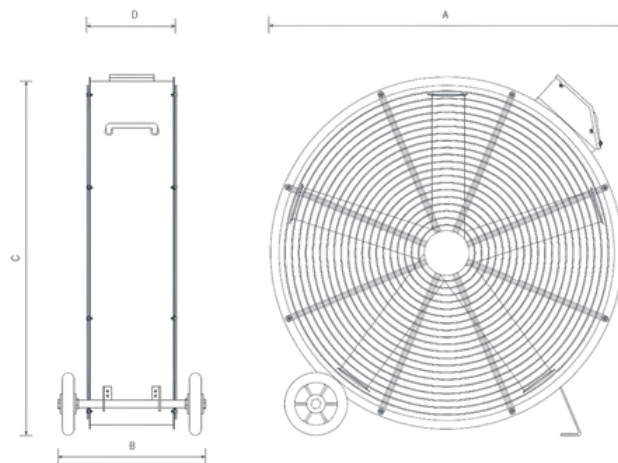


# AIRWAGON



The Anemoi AIRWAGON portable fan has been designed to be easily moved around any space thanks to its wheels and integrated handle. Its DC motor ensures quiet and efficient operation, whilst its robust construction and IP55 protection rating allow for safe use in outdoor and industrial environments.

## TECHNICAL DRAWING



## CONTROL



Specification	AIRWAGON 85	AIRWAGON 115	AIRWAGON 145
<b>Diameter</b>	0.85 m (3 ft)	1.15 m (4 ft)	1.45 m (5 ft)
<b>Number of Blades</b>	5		
<b>Standard Color</b>	Matte black housing and outer grill; gray 6063 aluminum blades and controller		
<b>Motor Power</b>	0.5 kW	0.95 kW	0.7 kW
<b>Input Power</b>	200VAC – 240VAC or 100VAC – 120VAC (50/60 Hz)		
<b>Maximum Speed</b>	700 rpm	450 rpm	400 rpm
<b>Protection Rating</b>	IP55	IP55	IP55
<b>Sound Level</b>	< 60 dBA	< 60 dBA	< 60 dBA
<b>Total Weight</b>	52 kg (115 lbs)	64 kg (142 lbs)	91 kg (201 lbs)
<b>Motor Type</b>	Brushless DC Motor		
<b>Airflow</b>	22,920 m <sup>3</sup> /h	38,700 m <sup>3</sup> /h	60,000 m <sup>3</sup> /h
<b>Coverage Area</b>	180 m <sup>2</sup> (1,938 sq ft)	310 m <sup>2</sup> (3,337 sq ft)	505 m <sup>2</sup> (5,436 sq ft)
<b>Controller</b>	Control panel		
<b>Dimensions (mm)</b>	A: 970; B: 610; C: 1160; D: 310	A: 1730; B: 720; C: 1650; D: 310	A: 2230; B: 770; C: 2130; D: 310

La documentación técnica se actualiza periódicamente. Anemoi se reserva el derecho de modificar todo o parte del contenido de este documento sin previo aviso.