

ANEMOI

AIRGATE

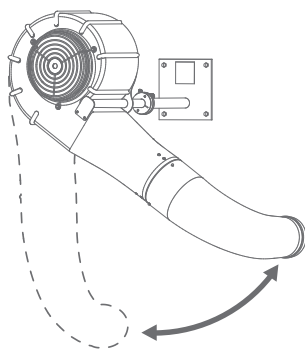
- > Cyclonic motor with high rotation speed
- > Motor with thermal protection capacitor
- > Compact design with extendable tube
- > Quick air renewal in the container
- > Adjustable height due to rotation
- > Adjustable distance to the dock



Quick Ventilation Solution for Logistic Docks

Model	Air speed	Max. Current	Max. Power	Rotation Speed	Airflow	Voltage
AIRGATE 700	20.8 m/s	4.8 A	250 W	1050 rpm	1450 m3/h	230 VAC
AIRGATE 750	31 m/s	8.8 A	370 W	1500 rpm	2040 m3/h	230 VAC

OSCILLATION TO ADJUST THE HEIGHT



DISTANCE ADJUSTABLE TO THE DOCK

